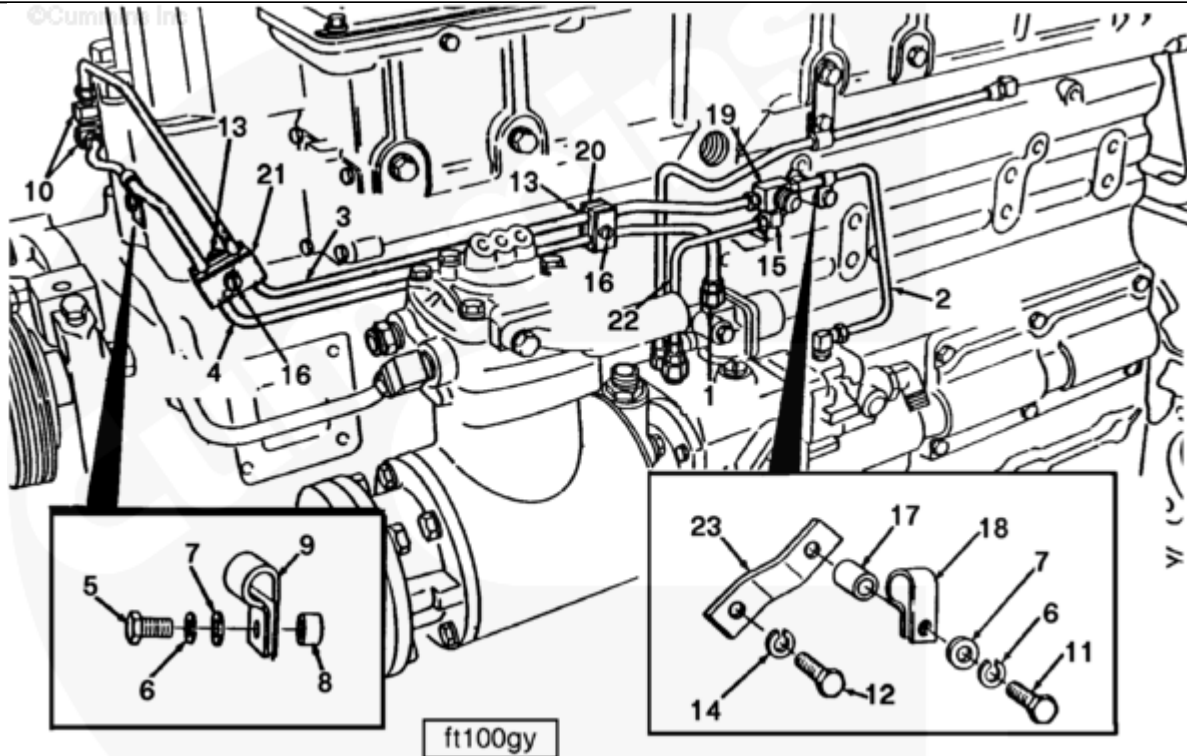




## Parts Catalog - Option Detail

Electronic Parts Catalog - Option Detail				
Option	Group	Graphic	Film Card	Date
FT12046	06.03	ft100gy	F	15-OCT-94
<b>Engines</b>	NH/NT 855, NT495, NT743, NTA855 N106			



[SMALL](#) | [MEDIUM](#) | [LARGE](#)

Cart	Ref No	Part Number	Part Description	Required	Remarks
<a href="#">View My Cart</a>					
		<a href="#">FT12046</a>	Fuel Tubing		
					Fuel Tubing
					For working AFC fuel pump,
					with BW compact or Cummins
					single cylinder compressor.
					Drain location DL1005. Not
					for MVT.

<input type="checkbox"/>	1	3018889	Female Connector	1	
<input type="checkbox"/>	2	3009846	Fuel Bypass Tube	1	
<input type="checkbox"/>	3	3035614	Fuel Drain Tube	1	
<input type="checkbox"/>	4	3037032	Fuel Supply Tube	1	
<input type="checkbox"/>	5	S 167 A	Hexagon Head Cap Screw	1	1/4 - 20 X 7/8 in.
<input type="checkbox"/>	6	S 600	Lock Washer	2	1/4 in.
<input type="checkbox"/>	7	S 631	Plain Washer	2	1/4 inch
<input type="checkbox"/>	8	114850	Mounting Spacer	1	
<input type="checkbox"/>	9	180372	Clip	1	
<input type="checkbox"/>	10	181213	Plain Adapter Elbow	2	
<input type="checkbox"/>	11	S 166 C	Hexagon Head Cap Screw	1	1/4 - 20 x 2 1/4 inch
<input type="checkbox"/>	12	S 190 C	Hexagon Head Cap Screw	1	3/8 - 24 x 5/8 in.
<input type="checkbox"/>	13	S 251	Regular Hexagon Jam Nut	2	1/4 - 28 UNF
<input type="checkbox"/>	14	S 604	Lock Washer	1	3/8 in.
<input type="checkbox"/>	15	S 1004 1	Plain Adapter Elbow	1	
<input type="checkbox"/>	16	S 1315	Pan Head Cap Screw	2	1/4 - 28 x 1 in.
<input type="checkbox"/>	17	68368	Mounting Spacer	1	
<input type="checkbox"/>	18	180371	Clip	1	
<input type="checkbox"/>	19	213527	Male Branch Tee	1	
<input type="checkbox"/>	20	3007024	Tube Clamp	2	
<input type="checkbox"/>	21	3007025	Tube Clamp	2	
<input type="checkbox"/>	22	3022823	Bleed Tube	1	
<input type="checkbox"/>	23	3033098	Tube Brace	1	